

INSTALLATION INSTRUCTIONS 30" (76.2 CM) FREESTANDING GAS RANGES

with standard clean oven

Table of Contents

RANGE SAFETY	2
INSTALLATION REQUIREMENTS	4
Tools and Parts	4
Location Requirements	4
Electrical Requirements	5
Gas Supply Requirements	6
INSTALLATION INSTRUCTIONS	7
Unpack Range.....	7
Install Anti-Tip Bracket.....	7
Make Gas Connection	8
Verify Anti-Tip Bracket Is Installed and Engaged	9
Level Range.....	10
Installing/Replacing the Battery	10
Battery Status Indicator	11
Electronic Ignition System	11
Complete Installation	13
GAS CONVERSIONS.....	14
LP Gas Conversion	14
Complete Conversion	16
Natural Gas Conversion	16
Complete Conversion	18

IMPORTANT:

Installer: Leave installation instructions with the homeowner.

Homeowner: Keep installation instructions for future reference.

RANGE SAFETY

Your safety and the safety of others are very important.

We have provided many important safety messages in this manual and on your appliance. Always read and obey all safety messages.



This is the safety alert symbol.

This symbol alerts you to potential hazards that can kill or hurt you and others.

All safety messages will follow the safety alert symbol and either the word "DANGER" or "WARNING."

These words mean:

⚠ DANGER

You can be killed or seriously injured if you don't immediately follow instructions.

⚠ WARNING

You can be killed or seriously injured if you don't follow instructions.

All safety messages will tell you what the potential hazard is, tell you how to reduce the chance of injury, and tell you what can happen if the instructions are not followed.

WARNING: If the information in this manual is not followed exactly, a fire or explosion may result causing property damage, personal injury or death.

- Do not store or use gasoline or other flammable vapors and liquids in the vicinity of this or any other appliance.
- **WHAT TO DO IF YOU SMELL GAS:**
 - Do not try to light any appliance.
 - Do not touch any electrical switch.
 - Do not use any phone in your building.
 - Immediately call your gas supplier from a neighbor's phone. Follow the gas supplier's instructions.
 - If you cannot reach your gas supplier, call the fire department.
- Installation and service must be performed by a qualified installer, service agency or the gas supplier.

WARNING: Gas leaks cannot always be detected by smell.

Gas suppliers recommend that you use a gas detector approved by UL or CSA.

For more information, contact your gas supplier.

If a gas leak is detected, follow the "What to do if you smell gas" instructions.

IMPORTANT: Do not install a ventilation system that blows air downward toward this gas cooking appliance. This type of ventilation system may cause ignition and combustion problems with this gas cooking appliance resulting in personal injury or unintended operation.

In the State of Massachusetts, the following installation instructions apply:

- Installations and repairs must be performed by a qualified or licensed contractor, plumber, or gasfitter qualified or licensed by the State of Massachusetts.
- If using a ball valve, it shall be a T-handle type.
- A flexible gas connector, when used, must not exceed 3 feet.

⚠ WARNING

Tip Over Hazard

A child or adult can tip the range and be killed.

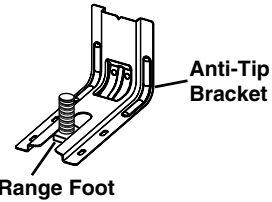
Install anti-tip bracket to floor or wall per installation instructions.

Slide range back so rear range foot is engaged in the slot of the anti-tip bracket.

Re-engage anti-tip bracket if range is moved.

Do not operate range without anti-tip bracket installed and engaged.

Failure to follow these instructions can result in death or serious burns to children and adults.



To verify the anti-tip bracket is installed and engaged:

- Slide range forward.
- Look for the anti-tip bracket securely attached to floor or wall.
- Slide range back so rear range foot is under anti-tip bracket.
- See installation instructions for details.

INSTALLATION REQUIREMENTS

Tools and Parts

Gather the required tools and parts before starting installation. Read and follow the instructions provided with any tools listed here.

Tools needed

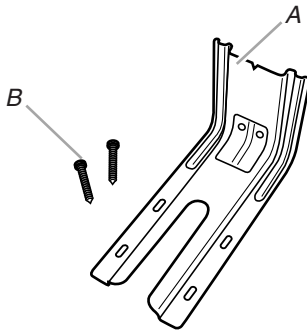
- Tape measure
- Flat-blade screwdriver
- Phillips screwdriver
- Level
- Hand or electric drill
- Wrench or pliers
- Pipe wrench
- $\frac{15}{16}$ " combination wrench
- $\frac{1}{4}$ " drive ratchet
- $\frac{3}{8}$ " nut driver
- $\frac{1}{8}$ " (3.2 mm) drill bit (for wood floors)
- Marker or pencil
- Pipe-joint compound resistant to LP gas
- Noncorrosive leak-detection solution

For LP/Natural Gas Conversions

- $\frac{3}{8}$ " combination wrench
- $\frac{1}{2}$ " combination wrench
- $\frac{5}{8}$ " combination wrench
- 7 mm ($\frac{9}{32}$ ") nut driver
- Quadrex^{®†} or Phillips screwdriver
- Masking tape

Parts supplied

Check that all parts are included.



A. Anti-tip bracket
B. #12 x $1\frac{5}{8}$ " screws (2)

- Literature bag
- Conversion orifice spuds (inside bag containing literature)
- Anti-tip bracket must be securely mounted to floor or wall. Thickness of flooring may require longer screws to anchor bracket to floor.

Parts needed

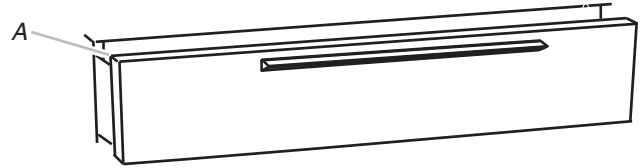
- 9V DC alkaline battery (not included)

Check local codes and consult gas supplier. Check existing gas supply and electrical supply. See "Electrical Requirements" and "Gas Supply Requirements" sections.

Location Requirements

IMPORTANT: Observe all governing codes and ordinances. Do not obstruct flow of combustion and ventilation air.

- It is the installer's responsibility to comply with installation clearances specified on the model/serial rating plate. The model/serial rating plate is located on the oven frame behind the left side of the broiler door.



A. Model/serial rating plate location

- The range should be located for convenient use in the kitchen.
- Recessed installations must provide complete enclosure of the sides and rear of the range.
- To eliminate the risk of burns or fire by reaching over heated surface units, cabinet storage space located above the surface units should be avoided. If cabinet storage is to be provided, the risk can be reduced by installing a range hood that projects horizontally a minimum of 5" (12.7 cm) beyond the bottom of the cabinets.
- All openings in the wall or floor where range is to be installed must be sealed.
- Do not seal the range to the side cabinets.
- Cabinet opening dimensions that are shown must be used. Given dimensions are minimum clearances.
- The anti-tip bracket must be installed. To install the anti-tip bracket shipped with the range, see "Install Anti-Tip Bracket" section.
- Proper gas supply connection must be available. See "Gas Supply Requirements" section.
- Contact a qualified floor covering installer to check that the floor covering can withstand at least 200°F (93°C).
- Use an insulated pad or $\frac{1}{4}$ " (0.64 cm) plywood under range if installing range over carpeting.

IMPORTANT: To avoid damage to your cabinets, check with your builder or cabinet supplier to make sure that the materials used will not discolor, delaminate or sustain other damage. This oven has been designed in accordance with the requirements of UL and CSA International and complies with the maximum allowable wood cabinet temperatures of 194°F (90°C).

†© QUADREX is a registered trademark of NLW Holdings, Inc.

Mobile Home - Additional Installation Requirements

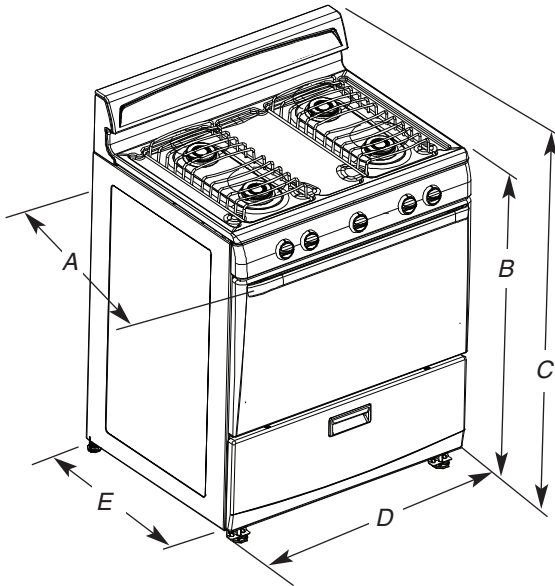
The installation of this range must conform to the Manufactured Home Construction and Safety Standard, Title 24 CFR, Part 3280 (formerly the Federal Standard for Mobile Home Construction and Safety, Title 24, HUD Part 280). When such standard is not applicable, use the Standard for Manufactured Home Installations, ANSI A225.1/NFPA 501A or with local codes.

In Canada, the installation of this range must conform with the current standards CAN/CSA-A240 - latest edition, or with local codes.

Mobile home installations require:

- When this range is installed in a mobile home, it must be secured to the floor during transit. Any method of securing the range is adequate as long as it conforms to the standards listed above.

Product Dimensions



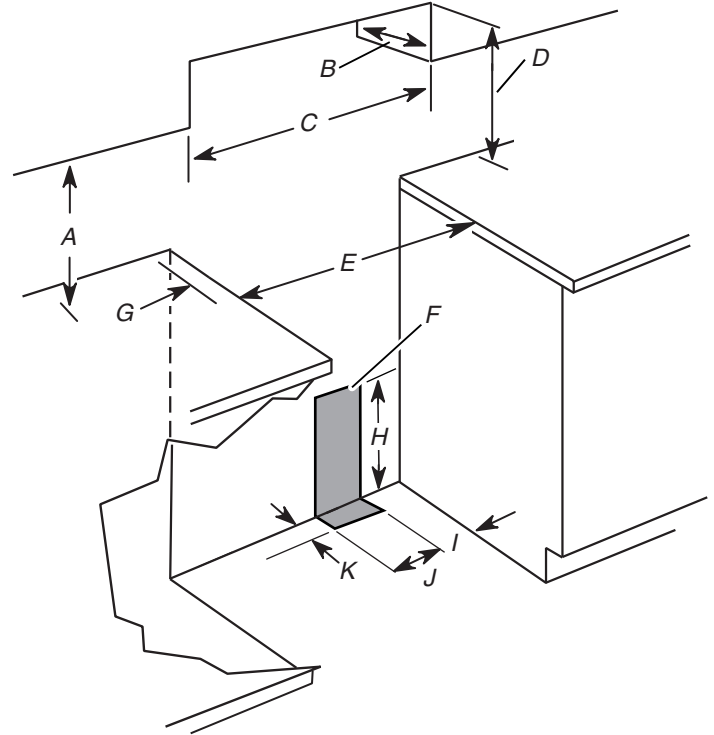
- A. 26 $\frac{1}{4}$ " (67.9 cm) depth with handle
- B. 36" (91.4 cm)
- C. 42" (106.7 cm) overall height
- D. 29 $\frac{7}{8}$ " (75.9 cm)
- E. 24 $\frac{1}{4}$ " (61.6 cm)

Cabinet Dimensions

Cabinet opening dimensions shown are for 25" (64.0 cm) countertop depth, 24" (61.0 cm) base cabinet depth and 36" (91.4 cm) countertop height.

If the cabinet depth is greater than 24" (61.0 cm), oven frame must extend beyond cabinet fronts by $\frac{1}{2}$ " (1.3 cm) minimum.

IMPORTANT: If installing a range hood or microwave hood combination above the range, follow the range hood or microwave hood combination installation instructions for dimensional clearances above the cooktop surface.



- A. 18" (45.7 cm) min. clearance upper side cabinet to countertop
- B. 13" (33.0 cm) max. upper cabinet depth
- C. 30" (76.2 cm) min. cabinet opening width
- D. For minimum clearance to top of cooktop, see NOTE*.
- E. 30 $\frac{1}{8}$ " (76.5 cm) min. opening width
- F. This shaded area recommended for installation of rigid gas pipe.
- G. 2" (5.1 cm) min. countertop space to side wall or other combustible material
- H. 10" (25.4 cm)
- I. 8" (20.3 cm)
- J. 5" (12.7 cm)
- K. 2" (5.1 cm)

*NOTE: 24" (61.0 cm) minimum when bottom of wood or metal cabinet is covered by not less than $\frac{1}{4}$ " (0.64 cm) flame retardant millboard covered with not less than No. 28 MSG sheet steel, 0.015" (0.4 mm) stainless steel, 0.024" (0.6 mm) aluminum or 0.020" (0.5 mm) copper.

30" (76.2 cm) minimum clearance between the top of the cooking platform and the bottom of an uncovered wood or metal cabinet.

Electrical Requirements

This range is equipped with an electronic ignition system that works with an 9V DC alkaline battery (not included). See the "Installing/Replacing Battery" section for instructions on installing and replacing the battery.

Gas Supply Requirements

⚠ WARNING



Explosion Hazard

Use a new CSA International approved gas supply line.

Install a shut-off valve.

Securely tighten all gas connections.

If connected to LP, have a qualified person make sure gas pressure does not exceed 14" (36 cm) water column.

Examples of a qualified person include:

**licensed heating personnel,
authorized gas company personnel, and
authorized service personnel.**

Failure to do so can result in death, explosion, or fire.

Observe all governing codes and ordinances.

IMPORTANT: This installation must conform with all local codes and ordinances. In the absence of local codes, installation must conform with American National Standard, National Fuel Gas Code ANSI Z223.1 - latest edition or CAN/CGA B149 - latest edition.

IMPORTANT: Leak testing of the range must be conducted according to the manufacturer's instructions.

Type of Gas

Natural gas:

This range is design-certified by CSA International for use with Natural gas or, after proper conversion, for use with LP gas.

- This range is factory set for use with Natural gas. See "Gas Conversions" section. The model/serial rating plate located on the oven frame behind the left side of the broiler door has information on the types of gas that can be used. If the types of gas listed do not include the type of gas available, check with the local gas supplier.

LP gas conversion:

Conversion must be done by a qualified service technician.

No attempt shall be made to convert the appliance from the gas specified on the model/serial rating plate for use with a different gas without consulting the serving gas supplier. See "Gas Conversions" section.

Gas Supply Line

- Provide a gas supply line of $\frac{3}{4}$ " (1.9 cm) rigid pipe to the range location. A smaller size pipe on longer runs may result in insufficient gas supply. With LP gas, piping or tubing size can be $\frac{1}{2}$ " (1.3 cm) minimum. Usually, LP gas suppliers determine the size and materials used in the system.

NOTE: Pipe-joint compounds that resist the action of LP gas must be used. Do not use TEFLON^{®†} tape.

Flexible metal appliance connector:

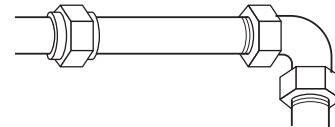
- If local codes permit, a new CSA design-certified, 4 to 5 ft (122 to 152.4 cm) long, $\frac{1}{2}$ " (1.3 cm) or $\frac{3}{4}$ " (1.9 cm) I.D., flexible metal appliance connector may be used for connecting range to the gas supply line.



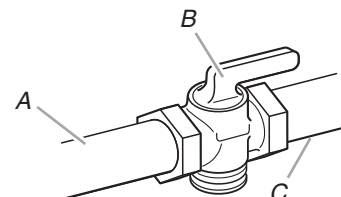
- A $\frac{1}{2}$ " (1.3 cm) male pipe thread is needed for connection to the female pipe threads of the inlet to the appliance pressure regulator.
- Do not kink or damage the flexible metal tubing when moving the range.

Rigid pipe connection:

The rigid pipe connection requires a combination of pipe fittings to obtain an in-line connection to the range. The rigid pipe must be level with the range connection. All strains must be removed from the supply and fuel lines so range will be level and in line.



- **Must include a shutoff valve:**
The supply line must be equipped with a manual shutoff valve. This valve should be located in the same room but external to the range opening, such as an adjacent cabinet. It should be in a location that allows ease of opening and closing. Do not block access to shutoff valve. The valve is for turning on or shutting off gas to the range.



A. Gas supply line
B. Shutoff valve "open" position
C. To range

Gas Pressure Regulator

The gas pressure regulator supplied with this range must be used. The inlet pressure to the regulator should be as follows for proper operation:

Natural gas:

Minimum pressure: 5" WCP

Maximum pressure: 14" WCP

LP gas:

Minimum pressure: 11" WCP

Maximum pressure: 14" WCP

Contact local gas supplier if you are not sure about the inlet pressure.

†TEFLON is a registered trademark of E.I. Du Pont De Nemours and Company.

Burner Input Requirements

Input ratings shown on the model/serial rating plate are for elevations up to 2,000 ft (609.6 m).

For elevations above 2,000 ft (609.6 m), ratings are reduced at a rate of 4% for each 1,000 ft (304.8 m) above sea level (not applicable for Canada).

Gas Supply Pressure Testing

Gas supply pressure for testing regulator must be at least 1" water column pressure above the manifold pressure shown on the model/serial rating plate.

Line pressure testing above ½ psi gauge (14" WCP)

The range and its individual shutoff valve must be disconnected from the gas supply piping system during any pressure testing of that system at test pressures in excess of ½ psi (3.5 kPa).

Line pressure testing at ½ psi gauge (14" WCP) or lower

The range must be isolated from the gas supply piping system by closing its individual manual shutoff valve during any pressure testing of the gas supply piping system at test pressures equal to or less than ½ psi (3.5 kPa).

INSTALLATION INSTRUCTIONS

Unpack Range

⚠ WARNING

Excessive Weight Hazard

Use two or more people to move and install range.
Failure to do so can result in back or other injury.

1. Do not use oven door handle to lift or move the range
2. Remove shipping materials, tape and film from range. Keep cardboard bottom under range.
3. Remove oven racks and parts package from inside oven.
4. To place range on its back, take 4 cardboard corners from the carton. Stack one cardboard corner on top of another. Repeat with the other 2 corners. Place them lengthwise on the floor behind the range to support the range when it is laid on its back.
5. Using 2 or more people, firmly grasp the range and gently lay it on its back on the cardboard corners.
6. Pull cardboard bottom firmly to remove.
7. Use an adjustable wrench to loosen the leveling legs. Adjust the leveling legs to the correct height. Leveling legs can be loosened to add up to a maximum of 1" (2.5 cm). A minimum of 3/16" (0.5 cm) is needed to engage the anti-tip bracket.

NOTE: If height adjustment is made when range is standing, tilt the range back to adjust the front legs, then tilt forward to adjust the rear legs.

8. Place cardboard or hardboard in front of range. Using 2 or more people, stand range back up onto cardboard or hardboard.

Install Anti-Tip Bracket

⚠ WARNING



Tip Over Hazard

A child or adult can tip the range and be killed.

Install anti-tip bracket to floor or wall per installation instructions.

Slide range back so rear range foot is engaged in the slot of the anti-tip bracket.

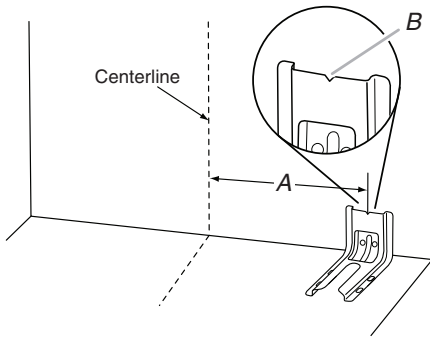
Re-engage anti-tip bracket if range is moved.

Do not operate range without anti-tip bracket installed and engaged.

Failure to follow these instructions can result in death or serious burns to children and adults.

1. Remove the anti-tip bracket from where it is attached inside the oven with a wire tie.
2. Determine which mounting method to use: floor or wall.
If you have a stone or masonry floor, you can use the wall mounting method. If you are installing the range in a mobile home, you must secure the range to the floor.

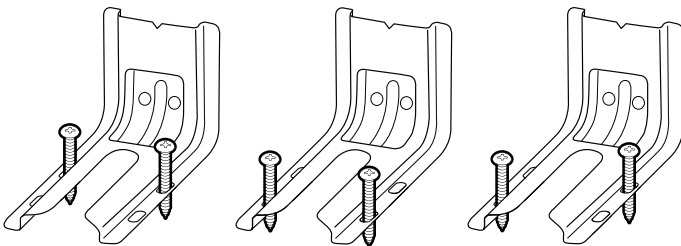
- Determine and mark centerline of the cutout space. The mounting can be installed on either the left side or right side of the cutout. Position mounting bracket against the wall in the cutout so that the V-notch of the bracket is $12^{53/64}$ " (32.6 cm) from centerline as shown.



A. $12^{53/64}$ " (32.6 cm)
B. Bracket V-notch

- Drill two $\frac{1}{8}$ " (3 mm) holes that correspond to the bracket holes of the determined mounting method. See the following illustrations.

Floor Mounting

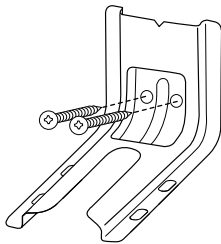


Rear position

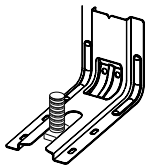
Front position

Diagonal (2 options)

Wall Mounting



- Using the Phillips screwdriver, mount anti-tip bracket to the wall or floor with the two #12 x $1\frac{1}{8}$ " screws provided.
- Move range close enough to opening to allow for final gas and electrical connections. Remove shipping base, cardboard or hardboard from under range.
- Move range into its final location, making sure rear leveling leg slides into anti-tip bracket.



- Move range forward onto shipping base, cardboard or hardboard to continue installing the range using the following installation instructions.

Make Gas Connection

⚠ WARNING



Explosion Hazard

Use a new CSA International approved gas supply line.

Install a shut-off valve.

Securely tighten all gas connections.

If connected to LP, have a qualified person make sure gas pressure does not exceed 14" (36 cm) water column.

Examples of a qualified person include:

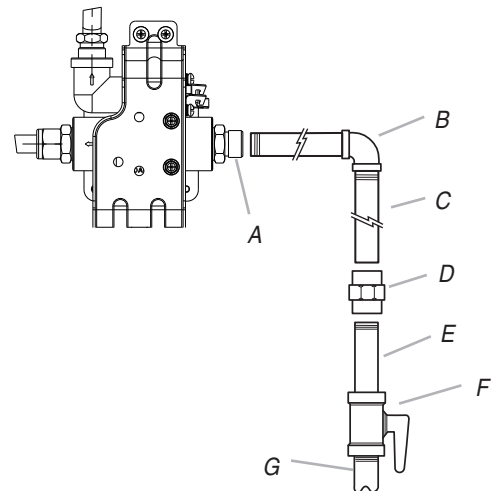
licensed heating personnel,
authorized gas company personnel, and
authorized service personnel.

Failure to do so can result in death, explosion, or fire.

Typical rigid pipe connection

A combination of pipe fittings must be used to connect the range to the existing gas line. Your connections may be different, according to the supply line type, size and location.

- Apply pipe-joint compound made for use with LP gas to all pipe thread connections.
- Using a pipe wrench to tighten, connect the gas supply to the range.



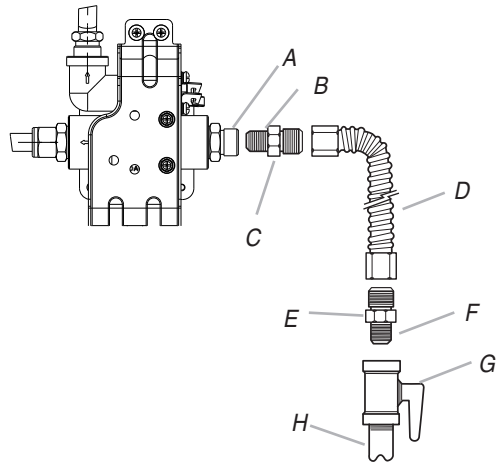
A. Pressure regulator connection fitting
B. 90° elbow
C. Black iron pipe

D. Union
E. Nipple
F. Manual shutoff valve
G. $\frac{1}{2}$ " or $\frac{3}{4}$ " gas pipe

Typical flexible connection

- Apply pipe-joint compound made for use with LP gas to the smaller thread ends of the flexible connector adapters (see B and F in the following illustration).
- Attach one adapter to the gas pressure regulator and the other adapter to the gas shutoff valve. Tighten both adapters.

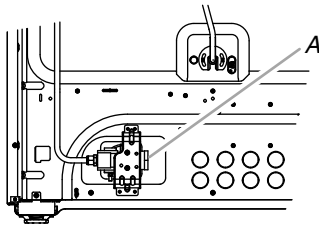
- Use a combination wrench and pliers to attach the flexible connector to the adapters. Check that connector is not kinked.



- A. Pressure regulator connection fitting
 B. Use pipe-joint compound.
 C. Adapter
 D. Flexible connector
 E. Adapter
 F. Use pipe-joint compound.
 G. Manual shutoff valve
 H. 1/2" or 3/4" gas pipe

Complete Connection

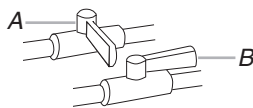
- Locate gas pressure regulator in the back of the range.



A. Gas pressure regulator

IMPORTANT: Do not remove the gas pressure regulator.

- Open the manual shutoff valve in the gas supply line. The valve is open when the handle is parallel to the gas pipe.



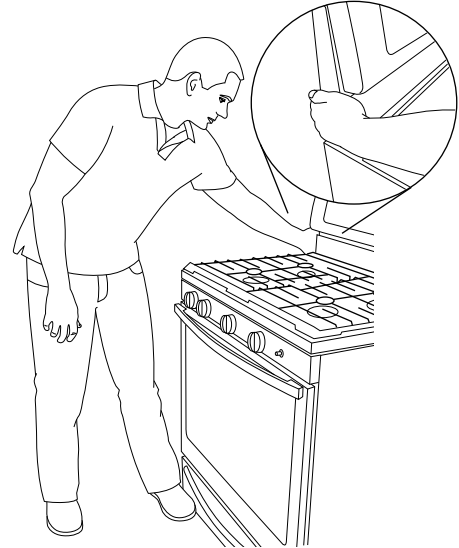
A. Closed valve
 B. Open valve

- Test all connections by brushing on an approved noncorrosive leak-detection solution. Bubbles will show a leak. Correct any leak found.
- Remove cooktop burner caps and grates from parts package. Align notches in burner caps with pins in burner base. Burner caps should be level when properly positioned. If burner caps are not properly positioned, surface burners will not light. Place burners, burner caps and grates on the cooktop.

Verify Anti-Tip Bracket Is Installed and Engaged

- Place the outside of your foot against the bottom front of the broiler, and grasp the lower right or left side of the control panel as shown.

NOTE: If your countertop is mounted with a backsplash, it may be necessary to grasp the range higher than is shown in the illustration.



- Slowly attempt to tilt the range forward. If you encounter immediate resistance, the range foot is engaged in the anti-tip bracket.
- If the rear of the range lifts more than 1/2" (1.3 cm) off the floor without resistance, stop tilting the range and lower it gently back to the floor. The range foot is not engaged in the anti-tip bracket.

IMPORTANT: If there is a snapping or popping sound when lifting the range, the range may not be fully engaged in the bracket. Check to see if there are obstructions keeping the range from sliding to the wall or keeping the range foot from sliding into the bracket. Verify that the bracket is held securely in place by the mounting screws.

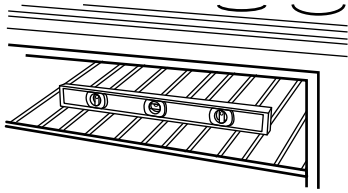
- Slide the range forward, and verify that the anti-tip bracket is securely attached to the floor or wall.
- Slide range back so the rear range foot is inserted into the slot of the anti-tip bracket.

IMPORTANT: If the back of the range is more than 2" (5.1 cm) from the mounting wall, the rear range foot may not engage the bracket. Slide the range forward and determine if there is an obstruction between the range and the mounting wall. Changes to the gas supply must be performed by a qualified service technician. If you need assistance or service, refer to the "Assistance or Service" section of the Use and Care Guide for contact information.

- Repeat steps 1 and 2 to ensure that the range foot is engaged in the anti-tip bracket. If the rear of the range lifts more than 1/2" (1.3 cm) off the floor without resistance, the anti-tip bracket may not be installed correctly. Do not operate the range without anti-tip bracket installed and engaged. Please reference the "Assistance or Service" section of the Use and Care Guide, or the cover or "Warranty" section of the User Instructions, to contact service.

Level Range

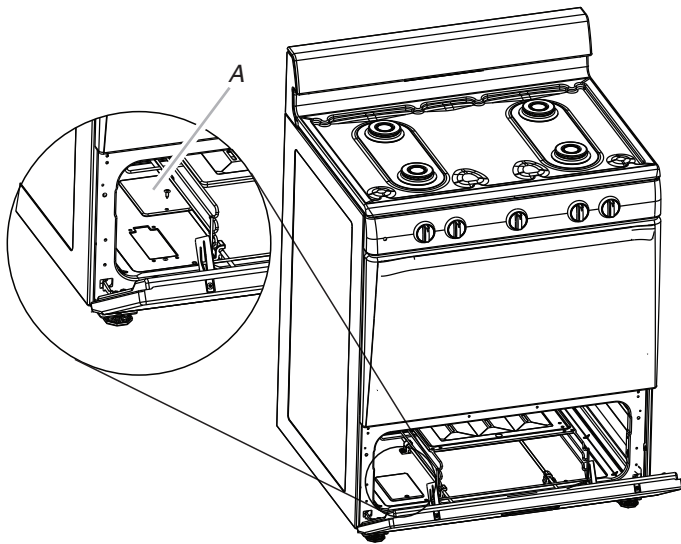
1. Place a standard flat rack in oven.
2. Place level on the rack and check levelness of the range, first side to side; then front to back.



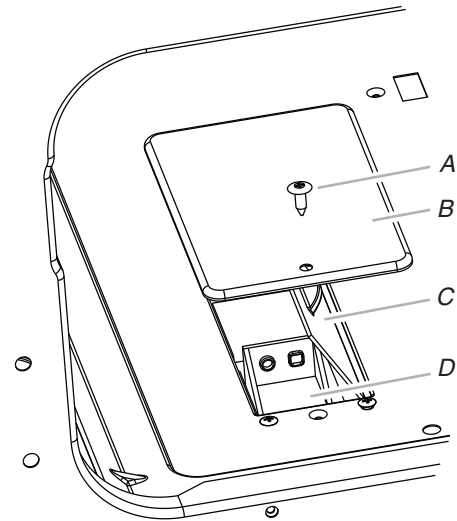
3. If range is not level, pull range forward until rear leveling leg is removed from the anti-tip bracket.
4. Use a $\frac{3}{8}$ " drive ratchet and slip-joint pliers to adjust leveling legs up or down until the range is level.
5. Push range back into position.
6. Check that rear leveling leg is engaged in the anti-tip bracket.

NOTE: Range must be level for satisfactory baking performance.

Installing/Replacing the Battery



A. Battery holder location

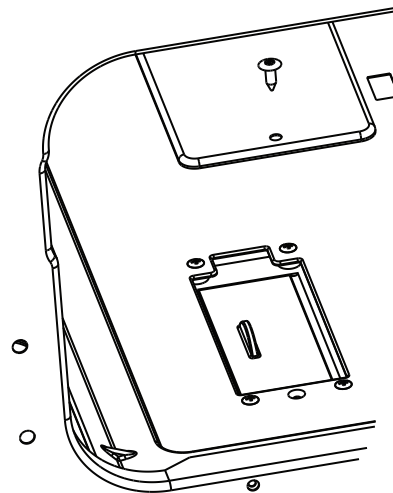


- A. Screw
- B. Metal battery top*
- C. Plastic battery box
- D. Battery holder

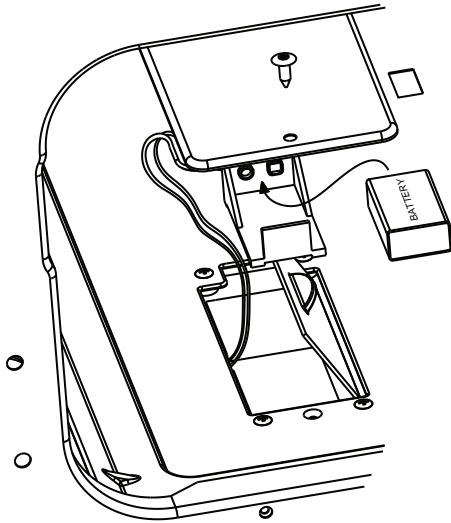
***NOTE:** Metal battery top is included in the bag containing the literature.

To install or replace the 9V DC alkaline battery, follow the steps below.

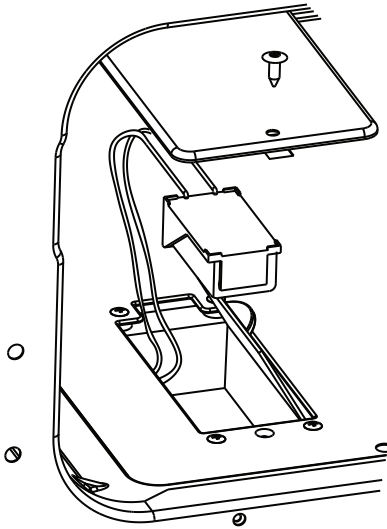
1. Open the broiler door.
2. Remove broiler pan and grill from broiler.
3. Using a Phillips screwdriver, remove the metal battery top from the bottom of the range and open the plastic battery box.



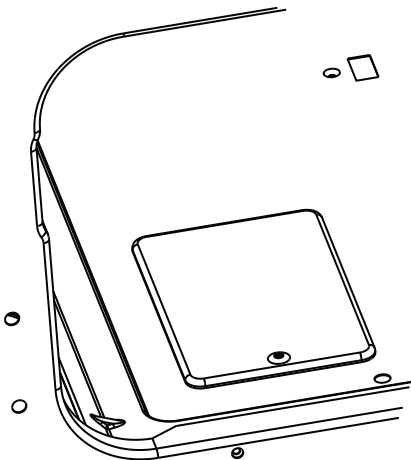
- Remove the battery holder and insert a new 9V DC alkaline battery into it.



- Replace the battery holder in the plastic battery box with the battery facing the bottom and the blue wires facing up, and close the plastic battery box.



- Reinstall the metal battery top and secure it with the screw.



IMPORTANT: Do not operate bake burner without the metal battery top installed and secured.

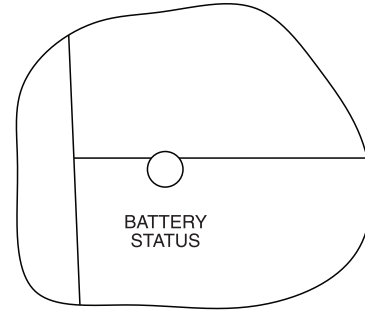
- Replace the broiler pan and grill in the broiler rack.
- Close the broiler door.

Test the battery by lighting a burner. See “Electronic Ignition System” section. The electrode in each burner will spark and make a clicking noise.

When the battery needs to be replaced, follow these instructions and remove the old battery before inserting a new battery. Properly dispose of the old battery. See the “Battery Status Indicator” section to know when to replace the battery.

Battery Status Indicator

- The battery status indicator on the control panel will show the recommended time to replace the battery.



Battery status indicator

- If the battery status indicator lights up red when any of the burner knobs is in the LITE position, then it is recommended you replace the battery with a new 9V DC alkaline battery.

NOTE: If any knob is turned to the LITE position and there is no clicking noise or the battery status does not light, either the battery power is very low or completely discharged, or there is no battery connected to the battery case. In this event, replace the battery or install a new 9V DC alkaline battery.

IMPORTANT: If the range will be unused for a long time, it is recommended that the battery is removed and stored out of reach of children. Reinstall the battery when the range will be used again.

NOTE: Remove the battery before moving the range. Reinstall the battery after the range has been reconnected.

While a knob is in the LITE position, if:	Then:
Battery status light is OFF and igniters spark	The range is operating normally
Battery status light is ON and igniters spark	Change battery soon
Battery status light is ON and igniters do not spark	Change battery now
Battery status light is OFF and igniters do not spark	Change battery now or check to ensure battery is installed correctly

Electronic Ignition System

Initial lighting and gas flame adjustments

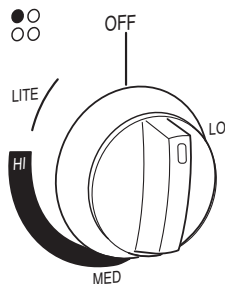
Cooktop and oven burners use electronic igniters in place of standing pilots. When the cooktop control knob is turned to the “LITE” position, the system creates a spark to light the burner. This sparking continues until the control knob is turned to the desired setting.

When the oven control knob is turned to the “LITE” position, the system creates a spark to light the pilot. The oven bottom has a hole to view the pilot. If the pilot is already lit, turn the oven control knob counterclockwise to completely light the oven burner.

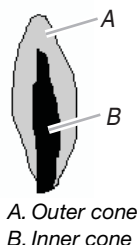
The electronic ignition system requires a 9V DC alkaline battery to create a spark to light the burners (this battery is not included).

Check Operation of Cooktop Burners

1. If control panel and knobs were removed earlier, reinstall knobs.
2. Push in and turn each surface unit control knob to the "LITE" position. The flame should light within 4 seconds.



3. Turn control knob to the "HI" position after burner lights.
4. Check each cooktop burner for proper flame. The small inner cone should have a very distinct blue flame $\frac{1}{4}$ " (0.64 cm) to $\frac{1}{2}$ " (0.13 cm) long. The outer cone is not as distinct as the inner cone.

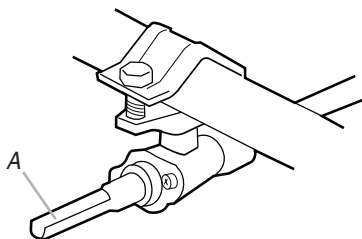


A. Outer cone
B. Inner cone

5. Turn the control knob quickly to the "LO" position after the burner lights. If the flame goes out, turn the control knob to the "OFF" position.
6. Check each cooktop burner for proper low flame. The low flame should be a minimum, steady blue flame. The flame size should be $\frac{1}{4}$ " to $\frac{3}{8}$ " (0.64 cm to 0.95 cm) high.

If the low flame needs adjusting:

1. With the burner flame on, turn control knob to the "LO" position and remove control knob.
2. Insert a small flat-blade screwdriver into the valve stem. Turn the valve adjusting screw to obtain the smallest flame that will not go out when the control of a cold burner is quickly turned from "HI" to "LO." Turn right to decrease flame height. Turn left to increase flame height. Repeat for other cooktop burners as needed.

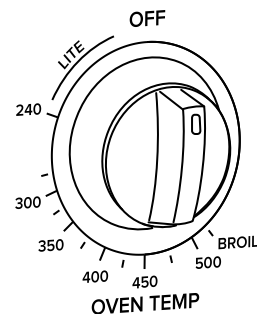


A. Valve stem

3. Replace control knob.

Check Operation of Oven/Broil Burner

1. Open the oven door
2. Press in and turn the oven control knob to the "LITE" position



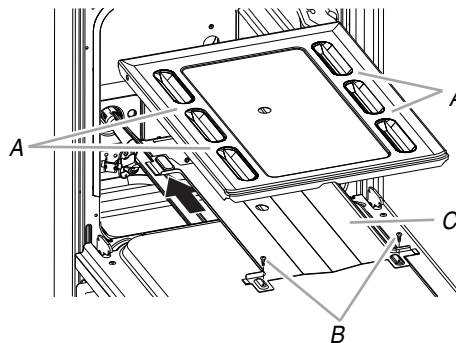
- The oven burner should light in 20-40 seconds; this delay is normal. The oven valve requires a certain time before it will open and allow gas to flow.

To avoid damaging the oven igniter system, do not insert any object into the electrode system. Do not clean that area.

3. Check the oven burner for proper flame. The flame should be $\frac{1}{2}$ " (0.13 cm) long, with inner cone of bluish-green. The outer mantle should be dark blue and should be clean and soft in character. No yellow tips (not enough air), blowing or lifting (too much air) of flame should occur.

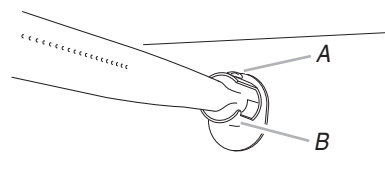
If the flame needs adjusting:

1. Turn the oven off. Wait for the oven burner to cool down.
2. Open oven door and remove oven racks, oven tray, and flame spreader and set aside.



A. Oven tray (lift up at area shown to remove)
B. Screws
C. Flame spreader

3. Locate the air shutter near the rear wall of oven and loosen the shutter screw.



A. Shutter screw
B. Air shutter

4. Adjust the air shutter.
5. Turn the oven back on and check for proper flame. If the flame is still not properly adjusted, turn the oven off, wait for the oven burner to cool down and repeat Step 4 until flame is properly adjusted.

6. When the flame has been properly adjusted, turn the oven off and wait for the burner to cool down.
7. Tighten the shutter screw.
8. Reinstall flame spreader and oven tray. Reinstall the oven racks.
9. Close the oven door.
10. Close the broiler door.

Complete Installation

1. Check that all parts are now installed. If there is an extra part, go back through the steps to see which step was skipped.
2. Check that you have all of your tools.
3. Dispose of/recycle all packaging materials.
4. Check that the range is level. See the “Level Range” section.
5. Use a mild solution of liquid household cleaner and warm water to remove waxy residue caused by shipping material. Dry thoroughly with a soft cloth. For more information, see the “Range Care” section of the Use and Care Guide.
6. Read the Use and Care Guide.
7. Turn on surface burners and oven. See the Use and Care Guide for specific instruction on range operation.

If range does not operate, check the following:

- 9V DC alkaline battery is installed correctly.
 - 9V DC alkaline battery is not defective or discharged.
 - 9V DC alkaline battery is connected.
 - See the “Troubleshooting” section of the Use and Care Guide.
8. When the range has been on for 5 minutes, check for heat. If the range is cold, turn off the range and check that the gas supply line shutoff valve is open.
 - If the gas supply line shutoff valve is closed, open it, then repeat the 5-minute test as outlined above.
 - If the gas supply line shutoff valve is open, turn to “closed” position and contact a qualified technician.

If you need Assistance or Service:

Please reference the “Assistance or Service” section of the Use and Care Guide or contact the dealer from whom you purchased your range.

GAS CONVERSIONS

Gas conversions from Natural gas to LP gas or from LP gas to Natural gas must be done by a qualified installer.

⚠ WARNING



Explosion Hazard

Use a new CSA International approved gas supply line.

Install a shut-off valve.

Securely tighten all gas connections.

If connected to LP, have a qualified person make sure gas pressure does not exceed 14" (36 cm) water column.

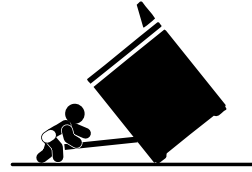
Examples of a qualified person include:

licensed heating personnel,
authorized gas company personnel, and
authorized service personnel.

Failure to do so can result in death, explosion, or fire.

LP Gas Conversion

⚠ WARNING



Tip Over Hazard

A child or adult can tip the range and be killed.

Install anti-tip bracket to floor or wall per installation instructions.

Slide range back so rear range foot is engaged in the slot of the anti-tip bracket.

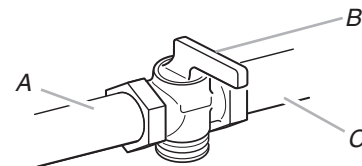
Re-engage anti-tip bracket if range is moved.

Do not operate range without anti-tip bracket installed and engaged.

Failure to follow these instructions can result in death or serious burns to children and adults.

To Convert Gas Pressure Regulator

1. Turn manual shutoff valve to the "closed" position.

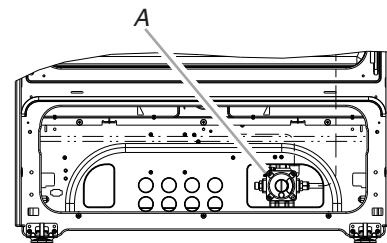


A. To range

B. Manual shutoff valve "closed" position

C. Gas supply line

2. Unplug range or disconnect power.
3. Open broiler door and remove broiler pan. The gas pressure regulator is located in the back right hand corner of the broiler compartment.

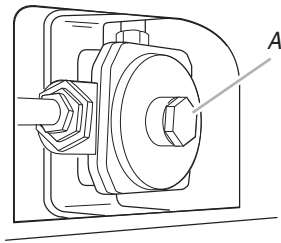


A. Gas pressure regulator

IMPORTANT: Do not remove the gas pressure regulator.

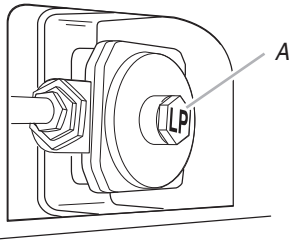
NOTE: Do not remove the spring beneath the cap.

- Remove the cap from the gas pressure regulator using a flat-blade screwdriver.



A. Cap

- Turn the cap over so "LP" is visible.

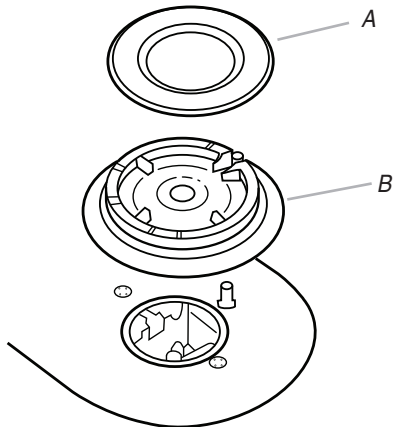


A. Cap

- Reinstall the cap.

To Convert Surface Burners

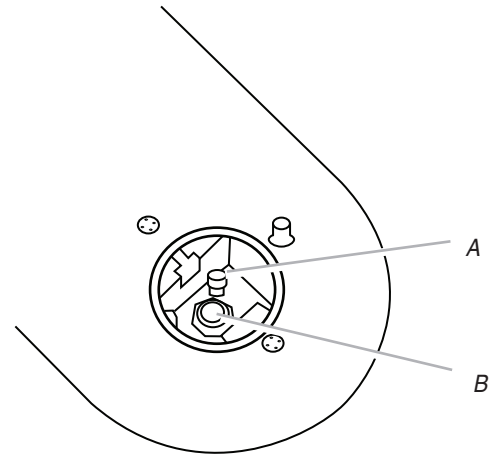
- Remove burner grate, burner caps and burners.



A. Burner cap
B. Burner

- Locate LP gas orifice spuds for top burners in the literature bag included with the range. Three LP gas spuds are stamped "88" and one "96."
- Remove Natural gas orifice spuds using a 7 mm combination wrench.

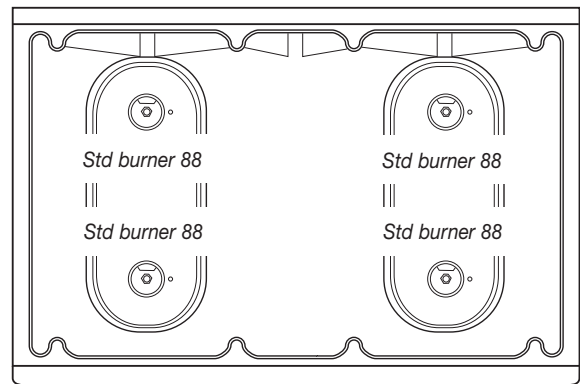
- Install LP gas orifice spuds using a 7 mm combination wrench.



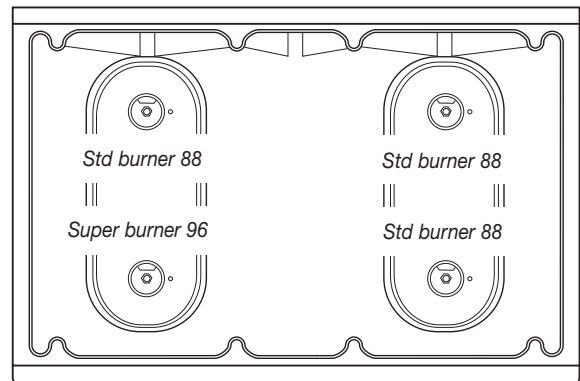
A. Spud
B. Holder

NOTE: Depending on model, the range cooktop may be equipped with 4 standard burners or 3 standard burners and 1 super burner. Spud size and location remain the same.

For models with 4 standard burners:



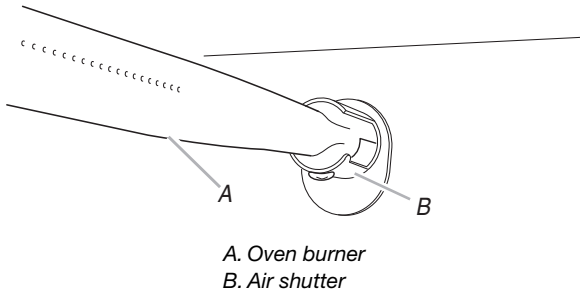
For models with 3 standard burners and 1 super burner:



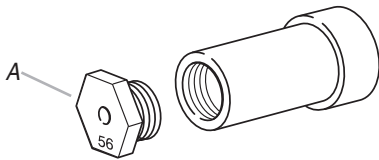
- Place the Natural gas orifice spuds in the parts bag for future use and keep with the bag containing literature.
- Reinstall burners, burner caps and burner grates.

To Convert Oven Burner

1. Open the oven door and remove oven racks, oven tray and flame spreader and set aside.
2. Lift oven burner. The orifice spud is behind the oven burner air shutter.



3. Locate LP gas orifice spud stamped "56" in the package containing literature supplied with the range.
4. Use a $\frac{3}{8}$ " combination wrench and remove the Natural gas orifice spud.
5. Install the number "56" LP gas spud.
IMPORTANT: Do not overtighten.



6. Place Natural gas oven burner spud in plastic parts bag along with Natural gas cooktop burner spuds for future use and keep with the package containing literature.
7. Reinstall oven burner.
8. Reinstall oven racks, oven tray and flame spreader.

Complete Conversion

1. Refer to the "Make Gas Connection" section for properly connecting the range to the gas supply.
2. Turn the manual shutoff valve in the gas supply line to the open position.
3. Refer to "Check Operation of Cooktop Burners" in the "Electronic Ignition System" section for proper burner ignition, operation and burner flame adjustments.
IMPORTANT: You may have to adjust the "LO" setting for each cooktop burner.

Checking for proper cooktop and oven burner flames is very important. The small inner cone should have a very distinct blue flame $\frac{1}{4}$ " to $\frac{1}{2}$ " (0.64 cm to 1.3 cm) long. The outer cone is not as distinct as the inner cone. LP gas flames have a slightly yellow tip.

4. Close the oven door and turn the knob to "OFF."
5. Refer to the "Complete Installation" section to complete this procedure.

Natural Gas Conversion

⚠ WARNING



Tip Over Hazard

A child or adult can tip the range and be killed.

Install anti-tip bracket to floor or wall per installation instructions.

Slide range back so rear range foot is engaged in the slot of the anti-tip bracket.

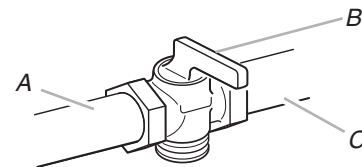
Re-engage anti-tip bracket if range is moved.

Do not operate range without anti-tip bracket installed and engaged.

Failure to follow these instructions can result in death or serious burns to children and adults.

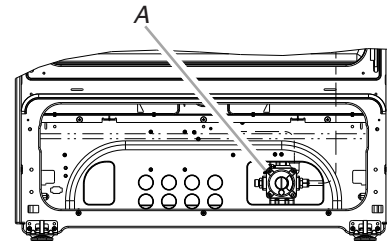
To Convert Gas Pressure Regulator

1. Turn manual shutoff valve to the "closed" position.



A. To range
B. Manual shutoff valve "closed" position
C. Gas supply line

2. Unplug range or disconnect power.
3. Open broiler door and remove broiler pan. The gas pressure regulator is located in the back right hand corner of the broiler compartment.

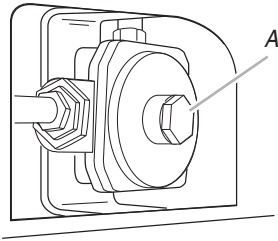


A. Gas pressure regulator

IMPORTANT: Do not remove the gas pressure regulator.

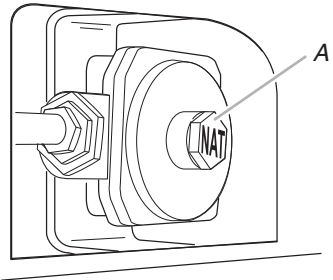
NOTE: Do not remove the spring beneath the cap.

- Remove the cap from the gas pressure regulator using a flat-blade screwdriver.



A. Cap

- Turn the cap over so that “N” or “NAT” is visible.

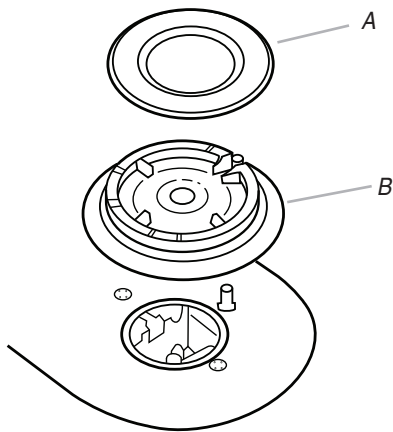


A. Cap

- Reinstall the cap.

To Convert Surface Burners

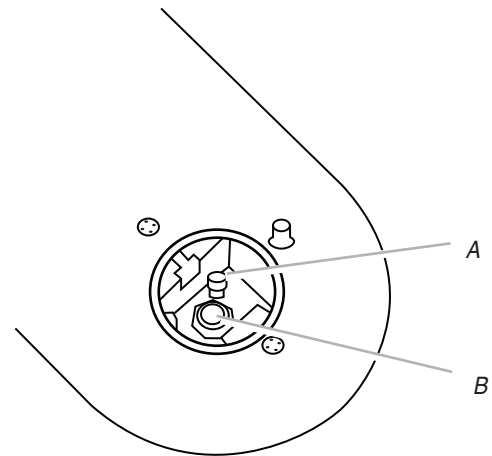
- Remove burner grate, burner caps and burners.



A. Burner cap
B. Burner

- Locate the Natural gas orifice spuds for top burners in the package containing literature included with the range. Three Natural gas spuds are stamped “149” and one “165.”
- Remove the LP gas orifice spuds using a 7 mm combination wrench.

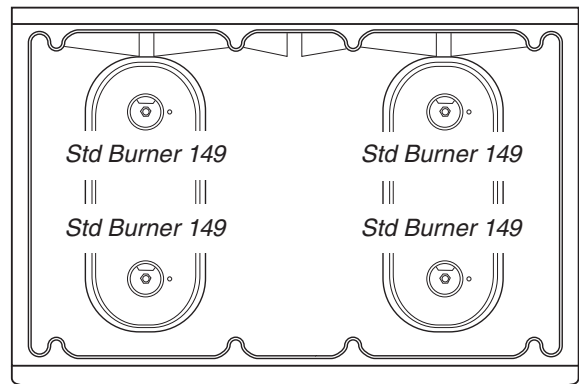
- Install the Natural gas orifice spuds using a 7 mm combination wrench.



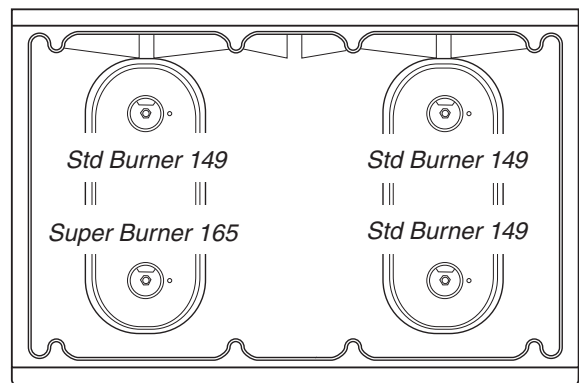
A. Spud
B. Holder

NOTE: Depending on model, the range cooktop may be equipped with 4 standard burners or 3 standard burners and 1 super burner. Spud size and location remain the same.

For models with 4 standard burners:



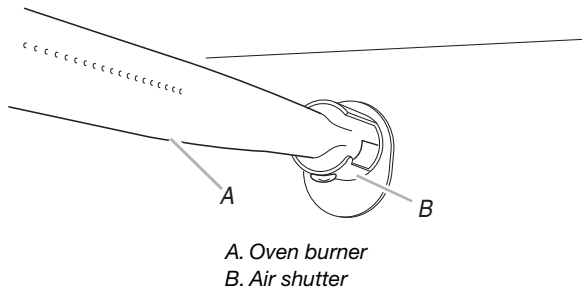
For models with 3 standard burners and 1 super burner:



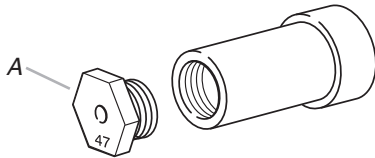
- Place LP gas orifice spuds in the parts bag for future use and keep with the package containing literature.
- Reinstall burners, burner caps and burner grates.

To Convert Oven Burner

1. Open the oven door and remove oven racks, oven tray, and flame spreader and set aside.
2. Lift oven burner. The orifice spud is behind the oven burner air shutter.



3. Locate Natural gas orifice spud stamped "47" in the package containing literature supplied with the range.
4. Use a $\frac{3}{8}$ " combination wrench and remove the LP gas orifice spud.
5. Install the number "47" LP gas spud.



IMPORTANT: Do not overtighten.

6. Place LP gas oven burner spud in plastic parts bag along with LP gas cooktop burner spuds for future use and keep with the bag containing literature.
7. Reinstall oven burner.
8. Reinstall oven racks, oven tray and flame spreader.

Complete Conversion

1. Refer to the "Make Gas Connection" section for properly connecting the range to the gas supply.
2. Turn the manual shutoff valve in the gas supply line to the open position.
3. Refer to "Check Operation of Cooktop Burners" in the "Electronic Ignition System" section for proper burner ignition, operation and burner flame adjustments.

IMPORTANT: You may have to adjust the "LO" setting for each cooktop burner.

Checking for proper cooktop and oven burner flames is very important. The small inner cone should have a very distinct blue flame $\frac{1}{4}$ " to $\frac{1}{2}$ " (0.64 cm to 1.3 cm) long. The outer cone is not as distinct as the inner cone. Natural gas flames do not have yellow tips.

4. Close the oven door and turn the knob to "OFF."
5. Refer to the "Complete Installation" section to complete this procedure.

Notes

W10533016A

© 2012 Whirlpool Corporation.
All rights reserved.